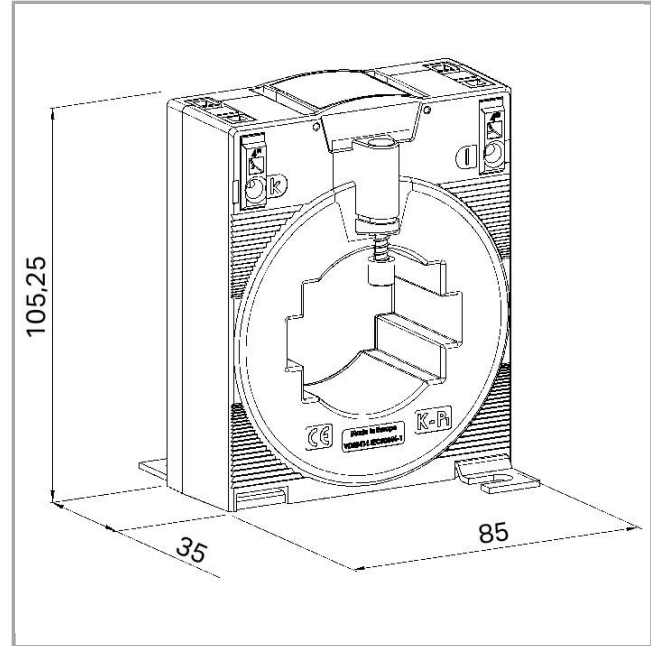
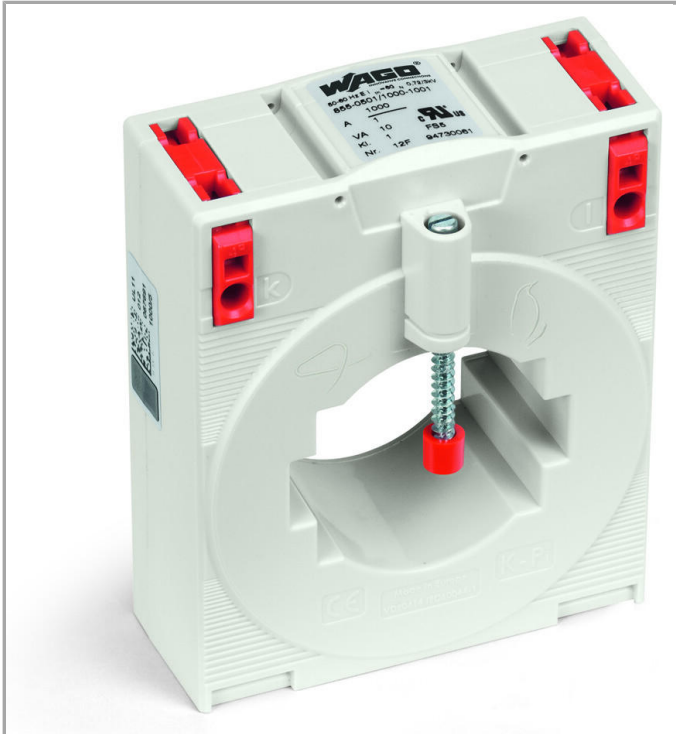


Data sheet | Item number: 855-501/1000-1001

Plug-in current transformer; Primary rated current: 1000 A; Secondary rated current: 1 A; Rated power: 10 VA; Accuracy class: 1

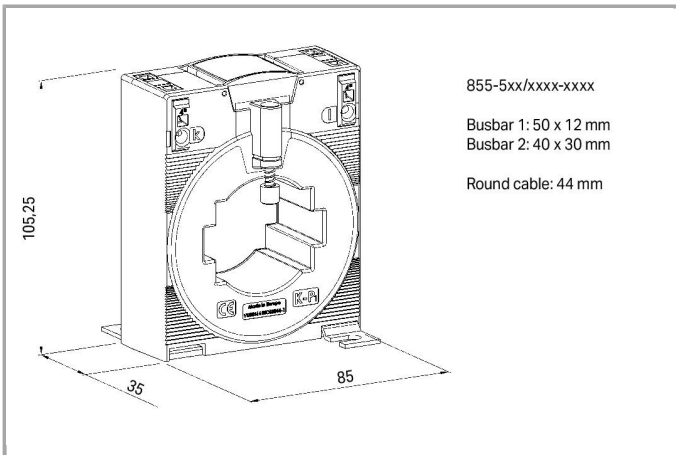


855-501/1000-1001



RoHS
Compliant ✓

[BOMcheck.net](https://www.bomcheck.net)



Item description

Short description:

The 855 Series Plug-In Current Transformers are inductive, single-conductor current transformers. Due to the measurement principle used, these current transformers are exclusively designed for AC network applications.

Features:

- Screwless CAGE CLAMP® connection technology
- Several mounting options available
- Vibration- and shock-resistant
- High mechanical retention forces
- High current-carrying capacity
- Continuous overload of 120 % the nominal primary current
- Low-voltage current transformer for operating voltages up to max. 1.2 kV
- Can be used in 690 V power networks
- UL recognized components

Data

Technical Data

Input – current transformer

Primary rated current	1000 A
Rated continuous thermal current I_{cth}	$1.2 \times I_N$
Rated short-time thermal current I_{th}	$60 \times I_N / 1 \text{ s (max. 100 kA / 1 s)}$
Overcurrent limiting factor	FS5 / FS10 (type dependent, see type plate inscription)
Rated frequency	50 ... 60 Hz

Output – Current transformer

Highest voltage for equipment U_m	1.2 kV _{rms} AC
Secondary rated current	1 A
Rated power S_r	10 VA

Measurement error

Accuracy class	1
----------------	---

Safety and protection:

Highest voltage for equipment U_m	AC 1.2 kV _{rms}
Test voltage	AC 6 kV; 50 Hz; 1 min

Connection data

Connection technology	CAGE CLAMP®
-----------------------	-------------



Solid conductor	0.08 ... 4 mm ² / 28 ... 12 AWG
Fine-stranded conductor	0.08 ... 4 mm ² / 28 ... 12 AWG
Strip length	9 ... 10 mm / 0.35 ... 0.39 inch

Geometrical Data

Width	85 mm / 3.346 inch
Height	105.25 mm / 4.144 inch
Depth	52 mm / 2.047 inch

Mechanical data

Type of mounting	Current transformers (closed) Secured to mounting plate Mounting on round cable
------------------	---

Material Data

Insulation class	E
Weight	230 g

Environmental Requirements

Surrounding air (operating) temperature	-5 ... 50 °C
Surrounding air (storage) temperature	-25 ... 70 °C
Max. operating altitude	1000 m

Standards and specifications


Conformity marking	1
Standards/specifications	EN 61869-1; EN 61869-2; UL: E356480

Commercial data

Country of origin	DE
GTIN	4050821616948
Customs Tariff No.	85043129900

Approvals / Certificates

UL-Approvals


Logo	Approval	Additional Approval Text	Certificate name
	UL Underwriters Laboratories Inc.	C51.13	E356480

Compatible products








assembling

	Item no.: 855-9910 Quick-mount kit	855-9910
--	--	----------

tools

	Item no.: 210-720 Operating tool with partially insulated shaft; Type 2, blade (3.5 x 0.5) mm	210-720
--	---	---------

General accessories

	Item no.: 2007-8873 Compact terminal block; for current and voltage transformers	2007-8873
	Item no.: 2007-8874 Compact terminal block; for current and voltage transformers	2007-8874
	Item no.: 2007-8875 Compact terminal block; for current transformer circuit	2007-8875
	Item no.: 2007-8876 Compact terminal block; for 3-phase current transformer circuit	2007-8876
	Item no.: 2007-8877 Compact terminal block; for current transformer circuit	2007-8877
	Item no.: 2857-570/024-001 3-Phase Power Measurement Module; 3x400/690 V/1 A; Modbus RTU; Digital output; Configuration via software; Supply voltage: 24 VDC	2857-570 /024-001
	Item no.: 857-550 Current signal conditioner; Current input signal; Current and voltage output signal; Digital output; Configuration via software; Supply voltage: 24 VDC; 6 mm module width	857-550

Downloads

Documentation

Bid Text

855-801/1000-1001	doc 32.8 kB	Download
-------------------	----------------	----------

Instruction Leaflet

Bushing Type Current Transformer	pdf 1.5 MB	Download
----------------------------------	---------------	----------

Additional Information

Disposal; Electrical and electronic equipment, Packaging	V 1.0.0	pdf 265.8 kB	Download
--	---------	-----------------	----------



Engineering-Software

Software for Interface-Products

Interface Configuration Software SMALL	1.6.2.11	exe	Download
The full setup only includes the WAGO Interface Configuration Software.	Jan 14, 2019	47.1 MB	

Interface Configuration Software FULL	1.6.2.11	exe	Download
The full setup, in addition to the WAGO Interface Configuration Software, includes the installation for the Microsoft .NET Framework.	Jan 14, 2019	97.5 MB	

CAD/CAE - Smart Data

CAD data

3D Download 855-501/1000-1001		URL	Download
-------------------------------	--	-----	----------

Subject to changes.
